

Site Accessibility Evaluation



Criminal Justice Center

**2739 E Las Vegas St
Southeast Colorado
Springs, CO 80906**

Accessibility Evaluation

Inspection Date: 02/06/2019

Inspector: David Mejia

Prepared By



(719) 520 - 6866

www.elpasoco.com

Main Lobby Parking Lot

Finding: 1

The striping and markings for the accessible parking stalls, access aisle are dilapidated and in need of repair and/or maintenance.

*2010 ADAS Section 502.3.3
Access aisles shall be marked so as to discourage parking in them.*

Citation:

2010 ADAS Section: 502.3.3

As Built:

Accessible parking stalls difficult to define

Recommendation:

Recommend re-striping parking lot to designate two 9' wide van accessible parking stalls that will share a 9' wide access aisle and re-stripe the 2 additional accessible parking stalls also for a total of 4 access aisles and one access aisle. Also, install posts with the international symbol of accessibility and van accessible signage to each parking stall. Additionally, mark a cross walk from the parking stalls to the west side curb ramp.

Notes:

Corrective Action: Work order# 434750 / PO# 7388819 submitted on 7/17/18.



Main Lobby Parking Lot

Finding: 2

Stripe crosswalk non existent

2010 ADAS Section Recommended
None

Citation:

2010 ADAS Section: Recommended

As Built:

Striped crosswalk
non existent

Recommendation:

Stripe a crosswalk from accessible parking stalls into curb ramp as indicated in image.

Notes:

Corrective Action: Work order #434750 submitted on 7/17/18. Corrected on 7/18/18.



Finding 292143 Main Photo

Main Lobby Parking Lot

Finding: 3

The required parking signage is missing.

Parking space identification signs shall include the International Symbol of Accessibility (ISA). Signs identifying van parking spaces shall contain the designation "van accessible." All signs shall be 60 inches minimum above the finish floor or ground surface measured to the bottom of the sign.

2010 ADAS Section 502.6

Parking space identification signs shall include the International Symbol of Accessibility complying with 703.7.2.1. Signs identifying van parking spaces shall contain the designation "van accessible." Signs shall be 60 inches (1525 mm) minimum above the finish floor or ground surface measured to the bottom of the sign.

Citation:

2010 ADAS Section: 502.6

As Built:

Missing accessible parking signage

Recommendation:

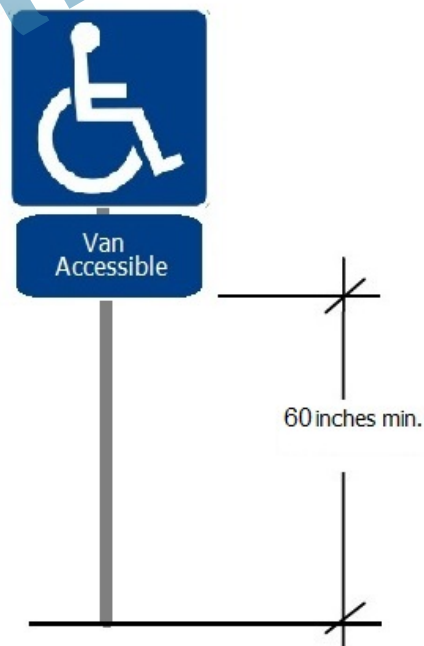
Install 3 posts with the international symbol of accessibility (4) and van accessible signage (2) to each parking stall.

Notes:

Corrective Action: Work order# 434750 / PO# 7388819 submitted on 7/17/18.



Finding 292144 Main Photo



Finding #3 Additional Finding Photos



Finding 292144 Additional Photo

CORRECTED

Alpha, Bravo, Charlie & Delta Wards

Finding: 4

Transfer type shower compartments exist in the Alpha, Bravo, Charlie and Delta wards but do not meet compliance due to missing grab bars and/or exceeds maximum vertical height in thresholds and/or missing or non compliant shower seats and/or missing or non compliant shower spray units.

2010 ADAS Section 608.2.1

Transfer type shower compartments shall be 36 inches (915 mm) by 36 inches (915 mm) clear inside dimensions measured at the center points of opposing sides and shall have a 36 inch (915 mm) wide minimum entry on the face of the shower

Citation:

2010 ADAS Section: 608.2.1

As Built:

**Transfer Type Shower
Compartments Not
Compliant**

Recommendation:

Remodel one (1) lower level transfer type shower compartment per ward to meet the 2010 ADA standards. One (1) shower per ward is what is recommended per the U.S Access Board.

Remodeling may include some or all of the following per transfer type shower compartment:

- *Replacing shower pans to meet the threshold maximum**
- *Installing or replacing shower grab bars**
- *Installing or replacing shower seat with a permanent seat**
- *Installing or replacing shower spray unit to meet compliance**

Where the required clear floor space of 36 inches wide X 48 inches long measured from the control wall (outside space) cannot be met due to a structural barrier, an effort shall be made to make the transfer type shower compartment compliant to the extent possible.

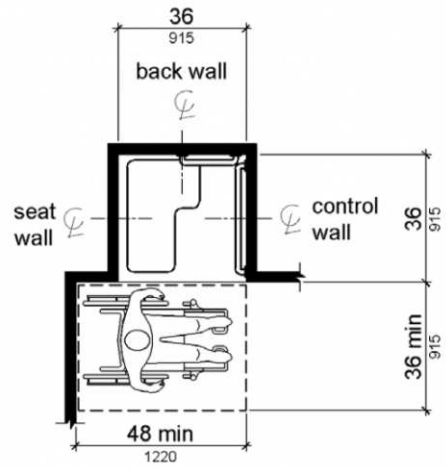
Notes:

Corrective Action: Work order # 460975 submitted on 4/30/19

Finding #4 Continued



Finding 260441 Main Photo



Note: inside finished dimensions measured at the center points of opposing sides

Figure 608.2.1
Transfer Type Shower Compartment Size and Clearance

Finding #4 Additional Finding Photos



Finding 260441 Additional Photo



Finding 260441 Additional Photo



Finding 260441 Additional Photo

Echo, Fox and Golf Wards

Finding: 5

Permanent shower seat is missing inside a Transfer Type Shower Compartment

2010 ADAS Section 610.3

Where a seat is provided in a standard roll-in shower compartment, it shall be a folding type, shall be installed on the side wall adjacent to the controls, and shall extend from the back wall to a point within 3 inches (75 mm) of the compartment entry. Where a seat is provided in an alternate roll-in type shower compartment, it shall be a folding type, shall be installed on the front wall opposite the back wall, and shall extend from the adjacent side wall to a point within 3 inches (75 mm) of the compartment entry. In transfer-type showers, the seat shall extend from the back wall to a point within 3 inches (75 mm) of the compartment entry. The top of the seat shall be 17 inches (430 mm) minimum and 19 inches (485 mm) maximum above the bathroom finish floor. Seats shall comply with 610.3.1 or 610.3.2.

2010 ADAS Section 610.3.1

The rear edge of a rectangular seat shall be 2 1/2 inches (64 mm) maximum and the front edge 15 inches (380 mm) minimum and 16 inches (405 mm) maximum from the seat wall. The side edge of the seat shall be 1 1/2 inches (38 mm) maximum from the adjacent wall.

2010 ADAS Section 610.3.2

The rear edge of an L-shaped seat shall be 2 1/2 inches (64 mm) maximum and the front edge 15 inches (380 mm) minimum and 16 inches (405 mm) maximum from the seat wall. The rear edge of the "L" portion of the seat shall be 1 1/2 inches (38 mm) maximum from the wall and the front edge shall be 14 inches (355 mm) minimum and 15 inches (380 mm) maximum from the wall. The end of the "L" shall be 22 inches (560 mm) minimum and 23 inches maximum (585 mm) from the main seat wall.

Citation:

2010 ADAS Section: 610.3, 610.3.1, 610.3.2

As Built:

**Designated ADA
shower
compartments in the
Echo, Fox and Golf
wards are missing the
shower seat**

Recommendation:

Install one (1) shower seat in each of the designated lower level ADA transfer type shower compartments in the Echo, Fox and Golf wards to meet 2010 ADA Compliance based on the following sections of the 2010 ADA Standards:

610.3 Shower Compartment Seats

610.3.1 Rectangular Seats

610.3.2 L-Shaped Seats

Notes:

Corrective Action: Work order # 460975 submitted on 4/30/19

Finding #5 Continued



Finding 262318 Main Photo

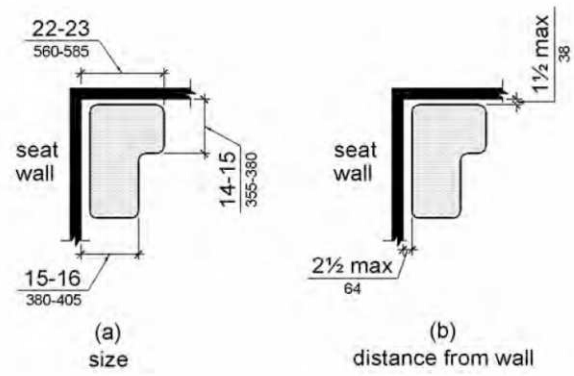


Figure 610.3.2
L-Shaped Shower Seat

Finding #5 Additional Finding Photos

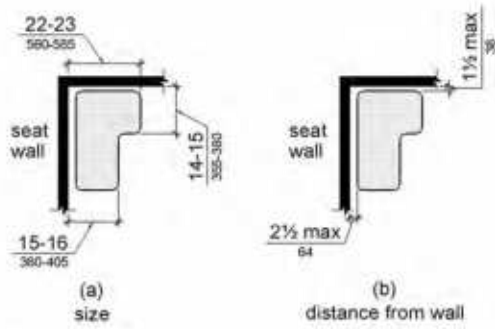


Figure 610.3.2
L-Shaped Shower Seat

Finding 262318 Additional Photo

Echo, Fox and Golf Wards

Finding: 6

No grab bars exist.

2010 ADAS Section 608.3

Grab bars shall comply with 609 and shall be provided in accordance with 608.3. Where multiple grab bars are used, required horizontal grab bars shall be installed at the same height above the finish floor.

2010 ADAS Section 608.3.1

In transfer type compartments, grab bars shall be provided across the control wall and back wall to a point 18 inches (455 mm) from the control wall.

Citation:

2010 ADAS Section: 608.3, 608.3.1

As Built:

Designated ADA shower compartment in Echo 1 ward missing shower grab bars

Recommendation:

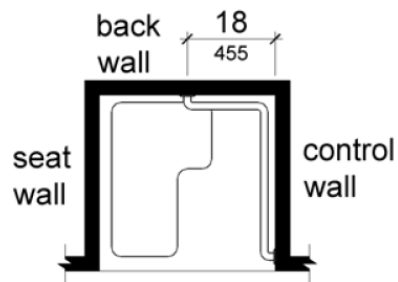
Install shower grab bars to meet 2010 ADA compliance based on the following sections of the 2010 ADA Standards:

608.3 Grab Bars

608.3.1 Transfer Type Shower Compartments

Notes:

Corrective Action: Work order # 460975 submitted on 4/30/19



**Figure 608.3.1
Grab Bars for Transfer Type Showers**

Finding 262332 Main Photo