

Site Accessibility Evaluation



Environmental Building

**3255 Akers Dr
Colorado Springs, CO
80922**

Accessibility Evaluation

Inspection Date: 02/21/2018

Inspector: David Mejia

Prepared By



(719) 520 - 6866

www.elpasoco.com

Parking

Finding: 1

The accessible parking stall's access aisle contains a built up curb ramp which results in significant slopes greater than 2 percent.

Surface slopes of accessible parking spaces and access aisles shall be the minimum possible and shall not exceed one unit vertical in 50 units, horizontal (2-percent slope) in any direction.

2010 ADAS Section 502.4

Parking spaces and access aisles serving them shall comply with 302. Access aisles shall be at the same level as the parking spaces they serve. Changes in level are not permitted.

Citation:

2010 ADAS Section: 502.4

As Built:

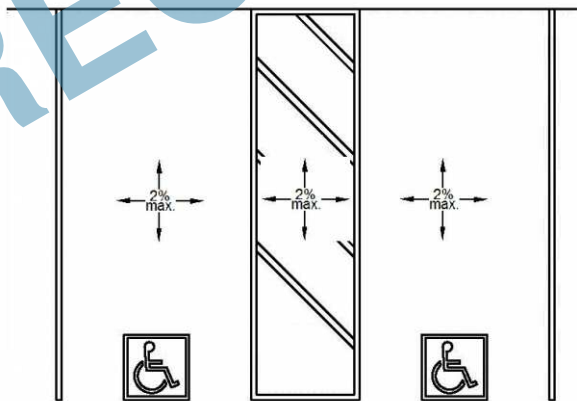
Asphalt ramp protruding into parking access aisle.

Recommendation:

1. Remove protruding asphalt ramp from parking access aisle. 2. Extend existing access aisle into sidewalk and provide flare sides at no steeper than 8.33% (1:12) or add ramp adjacent to current access aisle.

Notes:

Corrective Action:



Finding 116961 Main Photo

Parking

Finding: 2

The parking sign is mounted too low.

Parking space identification signs shall include the International Symbol of Accessibility. Signs identifying van parking spaces shall contain the designation "van accessible." Signs shall be 60 inches minimum above the finish floor or ground surface measured to the bottom of the sign.

2010 ADAS Section 502.6

Parking space identification signs shall include the International Symbol of Accessibility complying with 703.7.2.1. Signs identifying van parking spaces shall contain the designation "van accessible." Signs shall be 60 inches (1525 mm) minimum above the finish floor or ground surface measured to the bottom of the sign.

Citation:

2010 ADAS Section: 502.6

As Built:

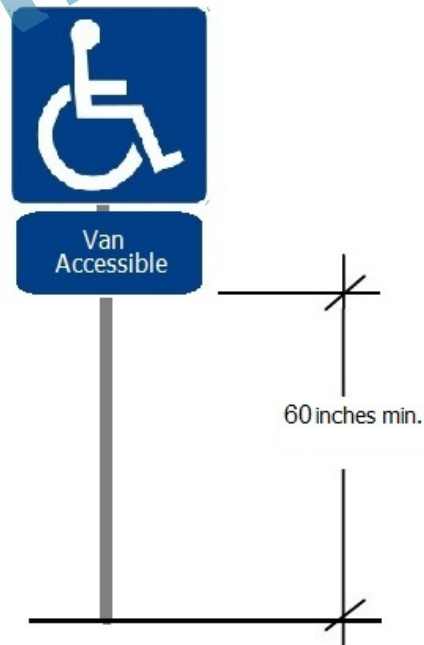
Van accessible sign is mounted to low (43-3/4 in)

Recommendation:

Install proper "van accessible sign at proper height.

Notes:

Corrective Action:



Finding 117860 Main Photo

Parking

Finding: 3

The cross slopes (narrow dimension) and/or running slopes (long dimension) of the access aisle exceeds 2%.

The running slope and the cross slope in an accessible parking stall and the access aisle must not exceed 2%.

2010 ADAS Section 502.4

Parking spaces and access aisles serving them shall comply with 302. Access aisles shall be at the same level as the parking spaces they serve. Changes in level are not permitted.

Citation:

2010 ADAS Section: 502.4

As Built:

Running Slope @
2.71% Cross Slope @
2.79%

Recommendation:

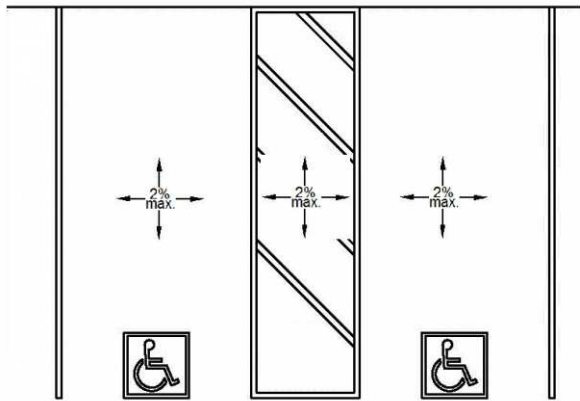
During next re-paving project of parking area, make access isle and parking stall to meet 2010 ADAS.

Notes:

Corrective Action:



Finding 117885 Main Photo



Finding #3 Additional Finding Photos



Finding 117885 Additional Photo

Transaction Counter

Finding: 4

The transaction counter is too high.

A portion of the counter surface that is 36 inches long minimum and 36 inches high maximum above the finish floor shall be provided. Knee and toe space must be provided for a forward approach. A 30 inch by 48 inch clear floor space on an accessible route must be provided for either a forward or parallel approach.

2010 ADAS Section 904.4.2

A portion of the counter surface that is 30 inches (760 mm) long minimum and 36 inches (915 mm) high maximum shall be provided. Knee and toe space complying with 306 shall be provided under the counter. A clear floor or ground space complying with 305 shall be positioned for a forward approach to the counter.

2010 ADAS Section 904.4.1

A portion of the counter surface that is 36 inches (915 mm) long minimum and 36 inches (915 mm) high maximum above the finish floor shall be provided. A clear floor or ground space complying with 305 shall be positioned for a parallel approach adjacent to the 36 inch (915 mm) minimum length of counter.

Citation:

2010 ADAS Section: 904.4.2, 904.4.1

As Built:

Counter measured at 42.5 inches from surface to floor.

Recommendation:

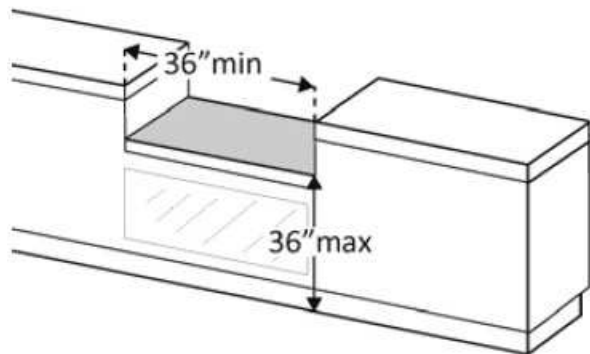
Adjust portion of counter surface to meet 36 inches long minimum and 36 inches high maximum above the finish floor.

Notes:

Corrective Action:



Finding 117888 Main Photo



Finding #4 Additional Finding Photos



Finding 117888 Additional Photo