

Site Accessibility Evaluation

Americans with Disabilities Act Title II (Public Services: State and Local Government)



Calhan Community Outreach Center

**328 10th St
Calhan, CO 80808**

Accessibility Evaluation

***Inspection Date: 04/29/2020
Inspector: David Mejia***

Prepared By



**(719) 520 - 6866
www.elpasoco.com**

Main Entrance

Lat: 39.0316700000, Long: -104.2966000000

Finding: 1

The threshold has a vertical change greater than 1/4 inch high.

The threshold at a doorway shall be no higher than 1/2 inch. Changes in level between 1/4 inch and 1/2 inch must be beveled at 1:2 or less. 1/4 inch is the maximum vertical rise.

2010 ADAS Section 404.2.5

Thresholds, if provided at doorways, shall be 1/2 inch (13 mm) high maximum. Raised thresholds and changes in level at doorways shall comply with 302 and 303.

Citation:

2010 ADAS Section: 404.2.5

As Built:

Threshold has 1 inch vertical rise

Budgeting Range:

\$150 - \$7,500.00

Recommendation:

Replace existing threshold with a low profile threshold that does not exceed the 1/4 inch vertical rise or 1/2 inch beveled.

Barrier Priority:

1 (High): Should be completed immediately. (Includes; Findings that have little or no cost, were in violation of the codes at the time of construction, or pose an imminent safety threat)

Department:

N/A

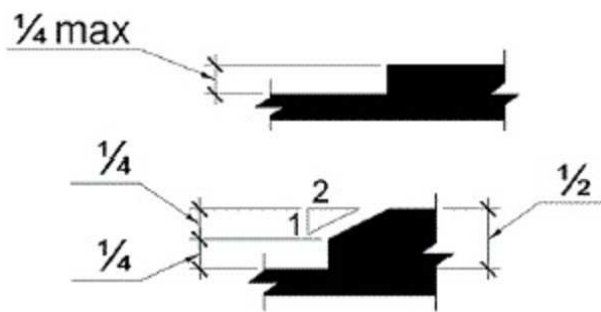
Estimated Remediation Date:

N/A

Notes:

N/A

Finding #1 Continued



Finding 299285 Main Photo

Finding #1 Additional Finding Photos



Finding 299285 Additional Photo



Finding 299285 Additional Photo

Lobby

Lat: 39.0316700000, Long: -104.2966000000

Finding: 2

The applications, pamphlets and/or informational brochures located on the wall display rack are located beyond the maximum reach allowable either for a forward or parallel approach. Height should be between 15 inches minimum and 48 inches maximum above finished floor for all printed material available to the public.

Lower display rack or provide additional and/or different type shelves/informational stand to meet compliance.

2010 ADAS Section 308.2.1

Where a forward reach is unobstructed, the high forward reach shall be 48 inches (1220 mm) maximum and the low forward reach shall be 15 inches (380 mm) minimum above the finish floor or ground.

2010 ADAS Section 308.3.1

Where a clear floor or ground space allows a parallel approach to an element and the side reach is unobstructed, the high side reach shall be 48 inches (1220 mm) maximum and the low side reach shall be 15 inches (380 mm) minimum above the finish floor or ground.

Citation:

2010 ADAS Section: 308.2.1, 308.3.1

As Built:

Brochure display rack
out of reach

Budgeting Range:

\$500 - \$1,500.00

Recommendation:

The applications, pamphlets and brochures located on the wall display rack are located beyond the maximum reach allowable either for a forward or parallel approach. Height should be between 15 inches minimum and 48 inches maximum above finished floor for all printed material available to the public.

Lower display rack or provide additional and/or different type shelves/informational stand to meet compliance.

Barrier Priority:

3 (Moderate): Should be completed as soon as possible, but there may be other items that will provide greater access to persons with disabilities. (Includes; Findings that have a high financial impact on the entity in relationship to the degree of access provided)

Department:

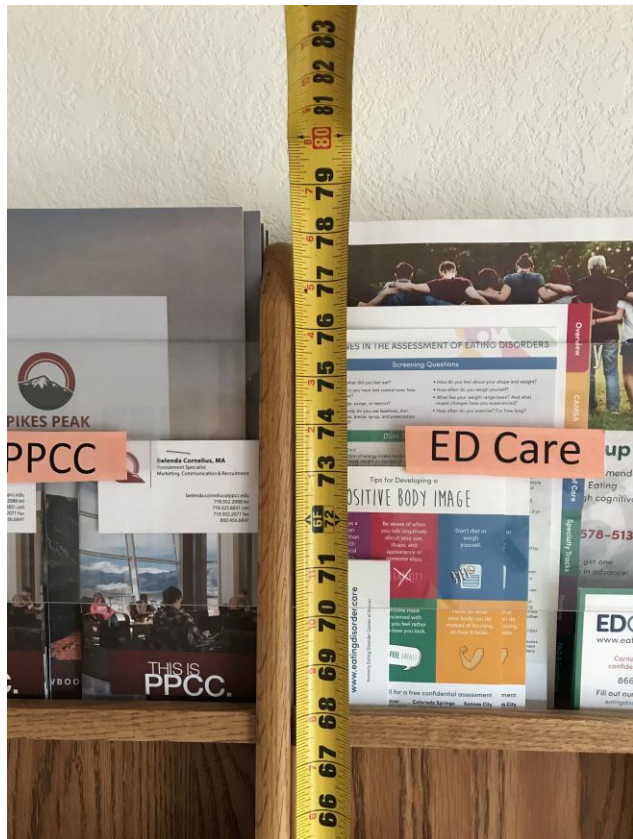
N/A

Estimated Remediation Date:

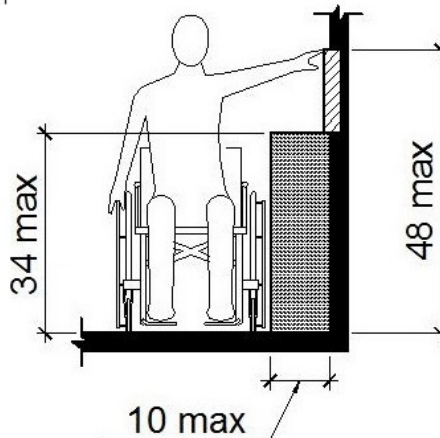
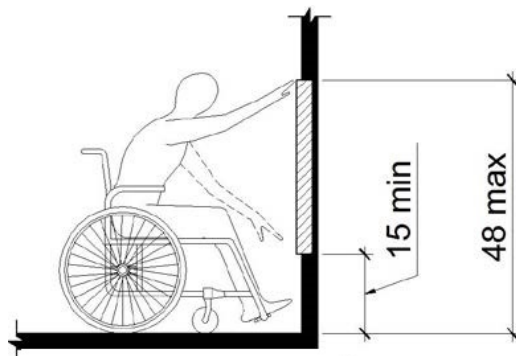
N/A

Notes:

N/A



Finding 299286 Main Photo



Considered
Unobstructed

Finding #2 Additional Finding Photos



Finding 299286 Additional Photo



Finding 299286 Additional Photo

Lobby

Lat: 39.0316700000, Long: -104.2966000000

Finding: 3

The shelf or storage facility is positioned too high for either a side or front approach.

Where a clear floor or ground space allows a parallel or front approach and the side reach is unobstructed, the high side reach shall be 48 inches maximum above the finish floor or ground and the low side reach shall be 15 inches minimum above the finish floor or ground.

2010 ADAS Section 308.2.1

Where a forward reach is unobstructed, the high forward reach shall be 48 inches (1220 mm) maximum and the low forward reach shall be 15 inches (380 mm) minimum above the finish floor or ground.

2010 ADAS Section 308.3.1

Where a clear floor or ground space allows a parallel approach to an element and the side reach is unobstructed, the high side reach shall be 48 inches (1220 mm) maximum and the low side reach shall be 15 inches (380 mm) minimum above the finish floor or ground.

Citation:

2010 ADAS Section: 308.2.1, 308.3.1

As Built:

Brochure display rack
#2 out of reach

Budgeting Range:

\$500 - \$1,500.00

Recommendation:

The applications, pamphlets and/or informational brochures located on the wall display rack are located beyond the maximum reach allowable either for a forward or parallel approach. Height should be between 15 inches minimum and 48 inches maximum above finished floor for all printed material available to the public.

Lower display rack or provide additional and/or different type shelves/informational stand to meet compliance.

Barrier Priority:

3 (Moderate): Should be completed as soon as possible, but there may be other items that will provide greater access to persons with disabilities. (Includes; Findings that have a high financial impact on the entity in relationship to the degree of access provided)

Department:

N/A

Estimated Remediation Date:

N/A

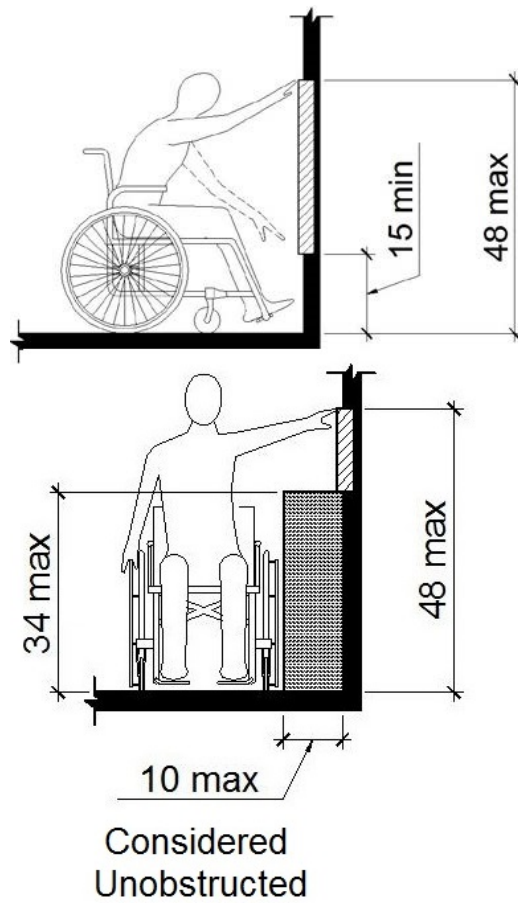
Notes:

N/A

Finding #3 Continued



Finding 299287 Main Photo



Finding #3 Additional Finding Photos



Finding 299287 Additional Photo



Finding 299287 Additional Photo

Lobby

Lat: 39.0316700000, Long: -104.2966000000

Finding: 4

The door opening does not provide at least 32 inches between the face of the door and the opposite stop.

Door openings shall provide a clear width of 32 inches minimum. Clear openings of doorways with swinging doors shall be measured between the face of the door and the stop, with the door open 90 degrees. There shall be no projections into the required clear opening width lower than 34 inches above the finish floor or ground. Projections into the clear opening width between 34 inches and 80 inches above the finish floor or ground shall not exceed 4 inches.

2010 ADAS Section 404.2.3

Door openings shall provide a clear width of 32 inches (815 mm) minimum. Clear openings of doorways with swinging doors shall be measured between the face of the door and the stop, with the door open 90 degrees. Openings more than 24 inches (610 mm) deep shall provide a clear opening of 36 inches (915 mm) minimum. There shall be no projections into the required clear opening width lower than 34 inches (865 mm) above the finish floor or ground. Projections into the clear opening width between 34 inches (865 mm) and 80 inches (2030 mm) above the finish floor or ground shall not exceed 4 inches (100 mm).

Citation:

2010 ADAS Section: 404.2.3

As Built:

Interior doors only
28.75 inches wide

Budgeting Range:

\$250 - \$4,173.50

Recommendation:

During remodel/alteration ensure door opening provides at least 32 inches between the face of the door and the stop.

Barrier Priority:

1 (High): Should be completed immediately. (Includes; Findings that have little or no cost, were in violation of the codes at the time of construction, or pose an imminent safety threat)

Department:

N/A

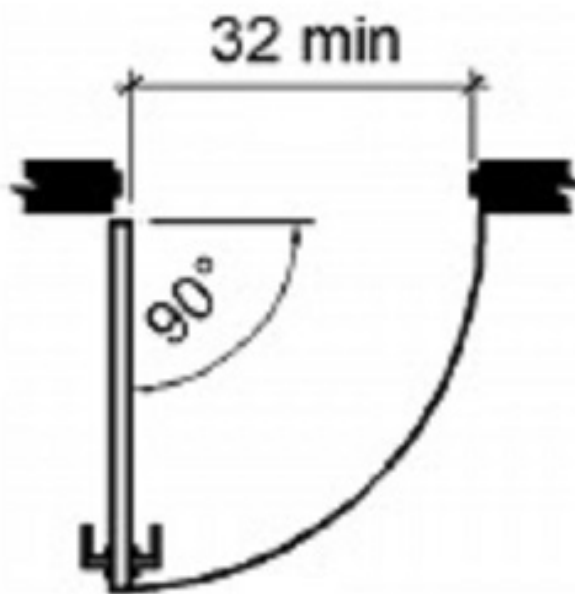
Estimated Remediation Date:

N/A

Notes:

N/A

Finding #4 Continued



Hinged Door or Gate

Finding 299288 Main Photo

Finding #4 Additional Finding Photos



Finding 299288 Additional Photo

Lobby

Lat: 39.0316700000, Long: -104.2966000000

Finding: 5

The operating hardware is not accessible because it requires tight grasping, pinching or twisting of the wrist to operate.

Hand-activated hardware, handles, pulls, latches, locks, and other operating devices on accessible elements shall have a shape that is easy to grasp with one hand and does not require tight grasping, tight pinching or twisting of the wrist to operate.

2010 ADAS Section 309.4

Operable parts shall be operable with one hand and shall not require tight grasping, pinching, or twisting of the wrist. The force required to activate operable parts shall be 5 pounds (22.2 N) maximum.

Citation:

2010 ADAS Section: 309.4

As Built:

Interior door hardware requires tight grasping and twisting of the wrist

Budgeting Range:

\$15 - \$39.94

Recommendation:

Install lever type hardware that does not require tight grasping, pinching or twisting of the wrist.

Barrier Priority:

3 (Moderate): Should be completed as soon as possible, but there may be other items that will provide greater access to persons with disabilities. (Includes; Findings that have a high financial impact on the entity in relationship to the degree of access provided)

Department:

N/A

Estimated Remediation Date:

N/A

Notes:

N/A

Finding #5 Continued



Finding 299299 Main Photo

Lobby

Lat: 39.0316700000, Long: -104.2966000000

Finding: 6

The operating hardware is not accessible because it requires tight grasping, pinching or twisting of the wrist to operate.

Hand-activated hardware, handles, pulls, latches, locks, and other operating devices on accessible elements shall have a shape that is easy to grasp with one hand and does not require tight grasping, tight pinching or twisting of the wrist to operate.

2010 ADAS Section 309.4

Operable parts shall be operable with one hand and shall not require tight grasping, pinching, or twisting of the wrist. The force required to activate operable parts shall be 5 pounds (22.2 N) maximum.

Citation:

2010 ADAS Section: 309.4

As Built:

Door hardware to Independence Center requires tight grasping and twisting of the wrist

Budgeting Range:

\$15 - \$19.97

Recommendation:

Install lever type hardware that does not require tight grasping, pinching or twisting of the wrist.

Barrier Priority:

3 (Moderate): Should be completed as soon as possible, but there may be other items that will provide greater access to persons with disabilities. (Includes; Findings that have a high financial impact on the entity in relationship to the degree of access provided)

Department:

N/A

Estimated Remediation Date:

N/A

Notes:

N/A

Finding #6 Continued

