

Site Accessibility Evaluation

Americans with Disabilities Act Title II (Public Services: State and Local Government)



EPC Veteran Services

**5850 Championship View
Colorado Springs, CO
80922**

ADA Only

***Inspection Date: 10/24/2017
Inspector: David Mejia***

Prepared By



(719) 520 - 6866

www.elpasoco.com

Lobby Waiting Area

Lat: 38.8928908000, Long: -104.7158129000

Finding: 1

The transaction counter is too high.

A portion of the counter surface that is 36 inches long minimum and 36 inches high maximum above the finish floor shall be provided. Knee and toe space must be provided for a forward approach. A 30 inch by 48 inch clear floor space on an accessible route must be provided for either a forward or parallel approach.

2010 ADAS Section 904.4.2

A portion of the counter surface that is 30 inches (760 mm) long minimum and 36 inches (915 mm) high maximum shall be provided. Knee and toe space complying with 306 shall be provided under the counter. A clear floor or ground space complying with 305 shall be positioned for a forward approach to the counter.

2010 ADAS Section 904.4.1

A portion of the counter surface that is 36 inches (915 mm) long minimum and 36 inches (915 mm) high maximum above the finish floor shall be provided. A clear floor or ground space complying with 305 shall be positioned for a parallel approach adjacent to the 36 inch (915 mm) minimum length of counter.

Citation:

2010 ADAS Section: 904.4.2, 904.4.1

As Built:

36.25 inches above finished floor

Budgeting Range:

\$2,500 - \$6,500.00

Recommendation:

Replace or re-configure a section of the transaction counter to provide a clearance of 36 inches high and a minimum of 36 inches wide.

Barrier Priority:

2 (Important): Should be completed as soon as possible. (Includes; Findings that would remove barriers to the greatest number of people to your goods and services)

Department:

N/A

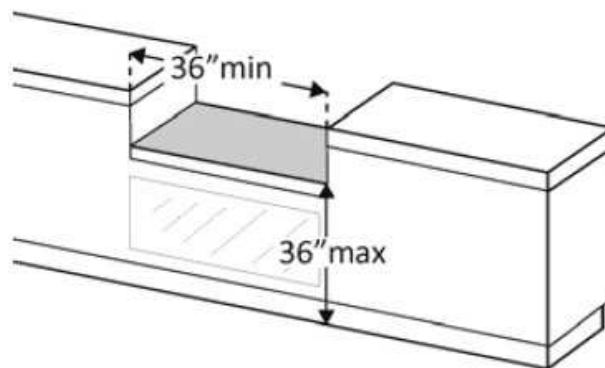
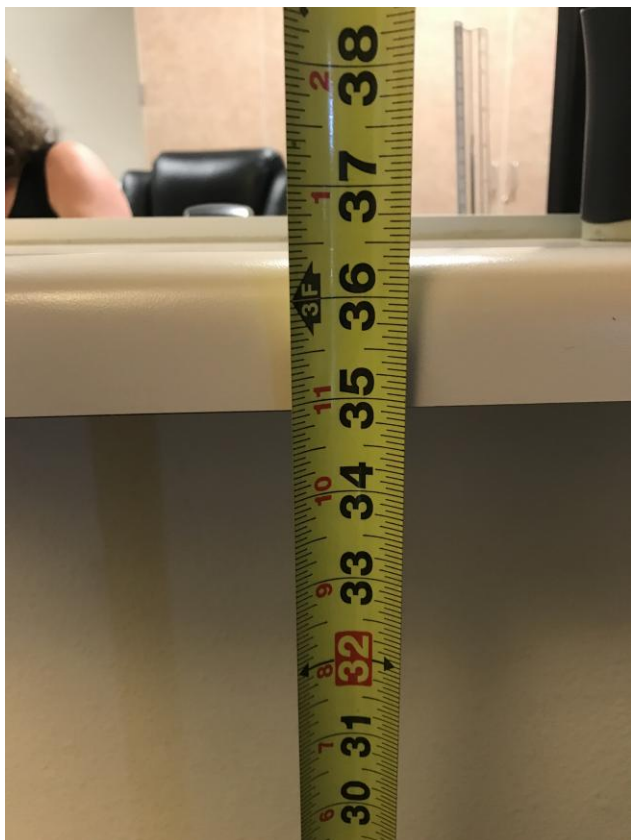
Estimated Remediation Date:

N/A

Notes:

N/A

Finding #1 Continued



Men's Restroom

Lat: 38.8928908000, Long: -104.7158129000

Finding: 2

The side grab bar is too high.

Grab bars shall be installed in a horizontal position, 33 inches minimum and 36 inches maximum above the finish floor measured to the top of the gripping surface and the space between the grab bar and the top of the tank shall be 1-1/2 inches minimum.

2010 ADAS Section 609.4

Grab bars shall be installed in a horizontal position, 33 inches (840 mm) minimum and 36 inches (915 mm) maximum above the finish floor measured to the top of the gripping surface, except that at water closets for children's use complying with 604.9, grab bars shall be installed in a horizontal position 18 inches (455 mm) minimum and 27 inches (685 mm) maximum above the finish floor measured to the top of the gripping surface. The height of the lower grab bar on the back wall of a bathtub shall comply with 607.4.1.1 or 607.4.2.1.

Citation:

2010 ADAS Section: 609.4

As Built:

36.75 inches above
finished floor

Budgeting Range:

\$0 - \$0.00

Recommendation:

Lower side grab bar 1 inch to meet compliance.

Barrier Priority:

3 (Moderate): Should be completed as soon as possible, but there may be other items that will provide greater access to persons with disabilities. (Includes; Findings that have a high financial impact on the entity in relationship to the degree of access provided)

Department:

N/A

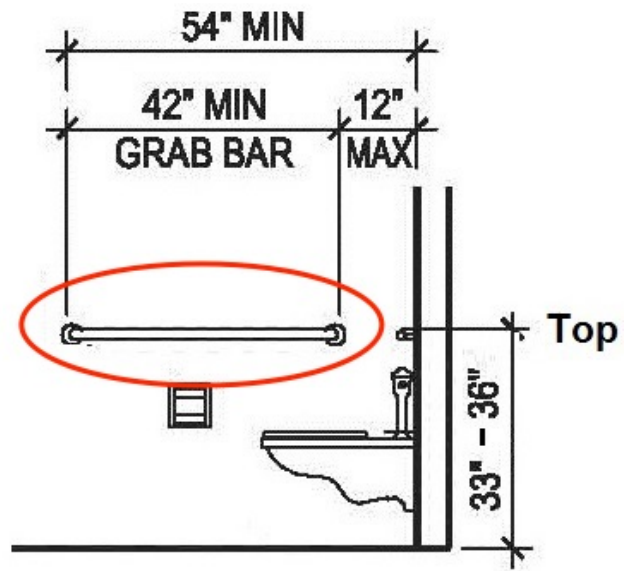
Estimated Remediation Date:

N/A

Notes:

N/A

Finding #2 Continued



Finding 297268 Main Photo

Men's Restroom

Lat: 38.8928908000, Long: -104.7158129000

Finding: 3

The rear grab bar is too high.

Grab bars shall be installed in a horizontal position, 33 inches minimum and 36 inches maximum above the finish floor measured to the top of the gripping surface and the space between the grab bar and the top of the tank shall be 1-1/2 inches minimum.

2010 ADAS Section 609.4

Grab bars shall be installed in a horizontal position, 33 inches (840 mm) minimum and 36 inches (915 mm) maximum above the finish floor measured to the top of the gripping surface, except that at water closets for children's use complying with 604.9, grab bars shall be installed in a horizontal position 18 inches (455 mm) minimum and 27 inches (685 mm) maximum above the finish floor measured to the top of the gripping surface. The height of the lower grab bar on the back wall of a bathtub shall comply with 607.4.1.1 or 607.4.2.1.

Citation:

2010 ADAS Section: 609.4

As Built:

37 inches above
finished floor

Budgeting Range:

\$0 - \$0.00

Recommendation:

Lower rear grab bar 1 inch minimum to meet compliance.

Barrier Priority:

3 (Moderate): Should be completed as soon as possible, but there may be other items that will provide greater access to persons with disabilities. (Includes; Findings that have a high financial impact on the entity in relationship to the degree of access provided)

Department:

N/A

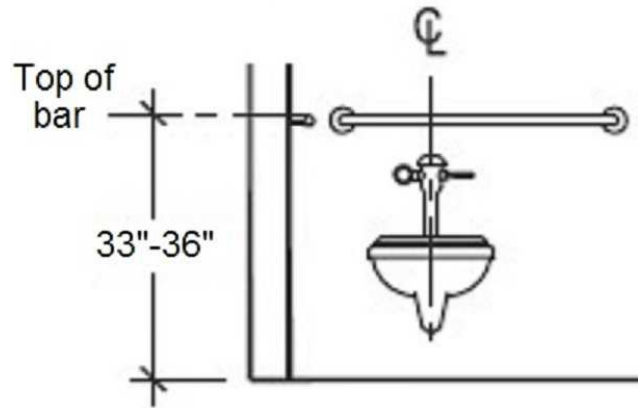
Estimated Remediation Date:

N/A

Notes:

N/A

Finding #3 Continued



Finding 297269 Main Photo

Men's Restroom

Lat: 38.8928908000, Long: -104.7158129000

Finding: 4

The toilet is not located within the range allowed from the side wall or partition.

The centerline of the toilet must be 16 to 18 inches from the side wall.

2010 ADAS Section 604.2

The water closet shall be positioned with a wall or partition to the rear and to one side. The centerline of the water closet shall be 16 inches (405 mm) minimum to 18 inches (455 mm) maximum from the side wall or partition, except that the water closet shall be 17 inches (430 mm) minimum and 19 inches (485 mm) maximum from the side wall or partition in the ambulatory accessible toilet compartment specified in 604.8.2. Water closets shall be arranged for a left-hand or right-hand approach.

Citation:

2010 ADAS Section: 604.2

As Built:

19.25 inches from side wall

Budgeting Range:

\$3,500 - \$5,000.00

Recommendation:

Adjust toilet so that it measures between 16 and 18 inches measured from the side wall to the centerline of the toilet.

Barrier Priority:

3 (Moderate): Should be completed as soon as possible, but there may be other items that will provide greater access to persons with disabilities. (Includes; Findings that have a high financial impact on the entity in relationship to the degree of access provided)

Department:

N/A

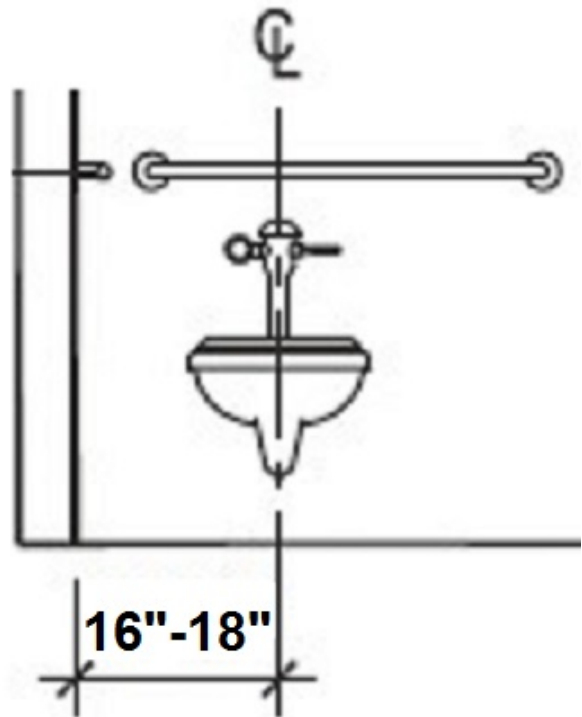
Estimated Remediation Date:

N/A

Notes:

N/A

Finding #4 Continued



Finding 297270 Main Photo

Men's Restroom

Lat: 38.8928908000, Long: -104.7158129000

Finding: 5

The compartment door is not self closing.

The water closet compartment shall be equipped with a door that has an automatic-closing device.

2010 ADAS Section 604.8.1.2

Toilet compartment doors, including door hardware, shall comply with 404 except that if the approach is to the latch side of the compartment door, clearance between the door side of the compartment and any obstruction shall be 42 inches (1065 mm) minimum. Doors shall be located in the front partition or in the side wall or partition farthest from the water closet. Where located in the front partition, the door opening shall be 4 inches (100 mm) maximum from the side wall or partition farthest from the water closet. Where located in the side wall or partition, the door opening shall be 4 inches (100 mm) maximum from the front partition. The door shall be self-closing. A door pull complying with 404.2.7 shall be placed on both sides of the door near the latch. Toilet compartment doors shall not swing into the minimum required compartment area.

Citation:	As Built:	Budgeting Range:
2010 ADAS Section: 604.8.1.2	Stall door not self closing	\$20 - \$50.00

Recommendation:

Install or adjust compartment door hinges to make compartment door self close.

Barrier Priority:

3 (Moderate): Should be completed as soon as possible, but there may be other items that will provide greater access to persons with disabilities. (Includes; Findings that have a high financial impact on the entity in relationship to the degree of access provided)

Department:

N/A

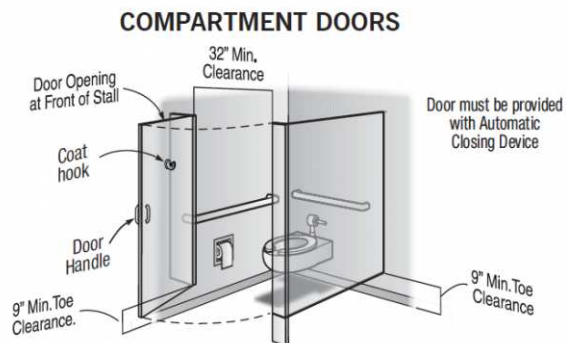
Estimated Remediation Date:

N/A

Notes:

N/A

Finding #5 Continued



Finding 297271 Main Photo

Men's Restroom

Lat: 38.8928908000, Long: -104.7158129000

Finding: 6

The rim of the urinal is too high.

Wall-hung urinals must be provided with an elongated rim projecting a minimum of 13 1/2 inches from the wall and a maximum of 17 inches above the floor.

2010 ADAS Section 605.2

Urinals shall be the stall-type or the wall-hung type with the rim 17 inches (430 mm) maximum above the finish floor or ground. Urinals shall be 13 1/2 inches (345 mm) deep minimum measured from the outer face of the urinal rim to the back of the fixture.

Citation:

2010 ADAS Section: 605.2

As Built:

23 inches above
finished floor

Budgeting Range:

\$750 - \$2,250.00

Recommendation:

Lower urinal a minimum of 6 inches to ensure a 17 inch maximum height above finished floor.

Barrier Priority:

3 (Moderate): Should be completed as soon as possible, but there may be other items that will provide greater access to persons with disabilities. (Includes; Findings that have a high financial impact on the entity in relationship to the degree of access provided)

Department:

N/A

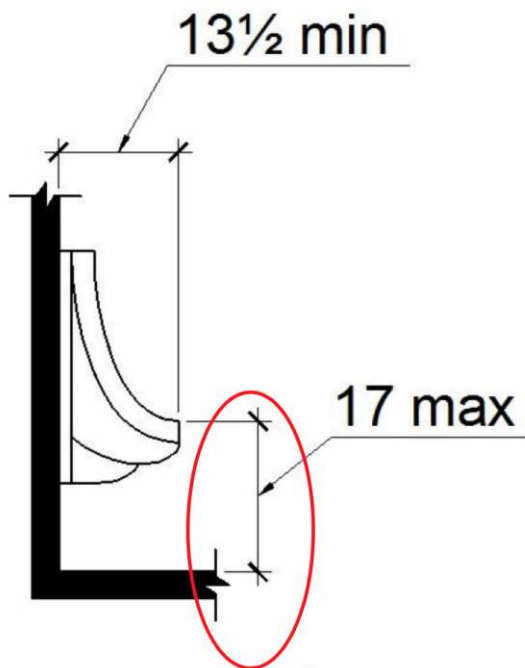
Estimated Remediation Date:

N/A

Notes:

N/A

Finding #6 Continued



Finding 297272 Main Photo

Men's Restroom

Lat: 38.8928908000, Long: -104.7158129000

Finding: 7

The urinal is too close to the side wall.

There must be a minimum of 15 inches from the centerline of the urinal to the nearest side wall or side partition to allow for an unobstructed 30 inches by 48 inches clear floor space.

2010 ADAS Section 605.2

Urinals shall be the stall-type or the wall-hung type with the rim 17 inches (430 mm) maximum above the finish floor or ground. Urinals shall be 13 1/2 inches (345 mm) deep minimum measured from the outer face of the urinal rim to the back of the fixture.

Citation:

2010 ADAS Section: 605.2

As Built:

12.25 inches from
nearest side wall

Budgeting Range:

\$750 - \$2,250.00

Recommendation:

Re-position right side wall partition to provide a an additional 2 inches in width if the the left side wall partition is unable to provide 3 inches due to the required clear floor space of 60 inches needed at the water closet. The additional 2 inches will provide the required 30 inch width minimum required. Note that urinal will not be centered to the required clear floor space.

Barrier Priority:

3 (Moderate): Should be completed as soon as possible, but there may be other items that will provide greater access to persons with disabilities. (Includes; Findings that have a high financial impact on the entity in relationship to the degree of access provided)

Department:

N/A

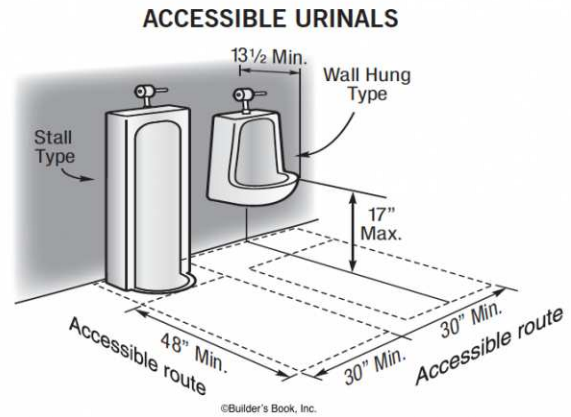
Estimated Remediation Date:

N/A

Notes:

N/A

Finding #7 Continued



Finding 297273 Main Photo

Finding #7 Additional Finding Photos



Finding 297273 Additional Photo



Finding 297273 Additional Photo

Men's Restroom

Lat: 38.8928908000, Long: -104.7158129000

Finding: 8

The top rim of the lavatory is too high.

All lavatories that are designated to be accessible shall be a minimum 17 inches in horizontal depth and mounted with the rim or counter edge no higher than 34 inches above the finished floor.

2010 ADAS Section 606.3

Lavatories and sinks shall be installed with the front of the higher of the rim or counter surface 34 inches (865 mm) maximum above the finish floor or ground.

Citation:

2010 ADAS Section: 606.3

As Built:

34.25 inches above
finished floor

Budgeting Range:

\$1,500 - \$2,500.00

Recommendation:

Lower lavatory by a minimum of .5 inches to ensure top rim of lavatory does not exceed 34 inches above finished floor.

Barrier Priority:

3 (Moderate): Should be completed as soon as possible, but there may be other items that will provide greater access to persons with disabilities. (Includes; Findings that have a high financial impact on the entity in relationship to the degree of access provided)

Department:

N/A

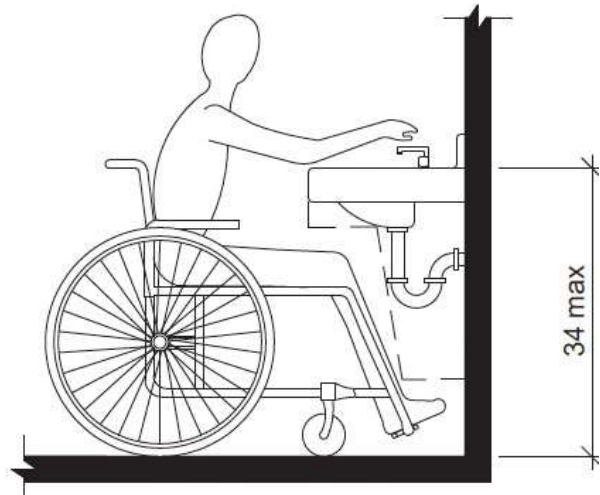
Estimated Remediation Date:

N/A

Notes:

N/A

Finding #8 Continued



Finding 297274 Main Photo

Women's Restroom

Lat: 38.8928908000, Long: -104.7158129000

Finding: 9

The side grab bar is too high.

Grab bars shall be installed in a horizontal position, 33 inches minimum and 36 inches maximum above the finish floor measured to the top of the gripping surface and the space between the grab bar and the top of the tank shall be 1-1/2 inches minimum.

2010 ADAS Section 609.4

Grab bars shall be installed in a horizontal position, 33 inches (840 mm) minimum and 36 inches (915 mm) maximum above the finish floor measured to the top of the gripping surface, except that at water closets for children's use complying with 604.9, grab bars shall be installed in a horizontal position 18 inches (455 mm) minimum and 27 inches (685 mm) maximum above the finish floor measured to the top of the gripping surface. The height of the lower grab bar on the back wall of a bathtub shall comply with 607.4.1.1 or 607.4.2.1.

Citation:

2010 ADAS Section: 609.4

As Built:

36.75 inches above
finished floor

Budgeting Range:

\$0 - \$0.00

Recommendation:

Lower side grab bar by 1 inch to meet compliance. Top of gripping surface should not extend beyond 36 inches above finished floor.

Barrier Priority:

3 (Moderate): Should be completed as soon as possible, but there may be other items that will provide greater access to persons with disabilities. (Includes; Findings that have a high financial impact on the entity in relationship to the degree of access provided)

Department:

N/A

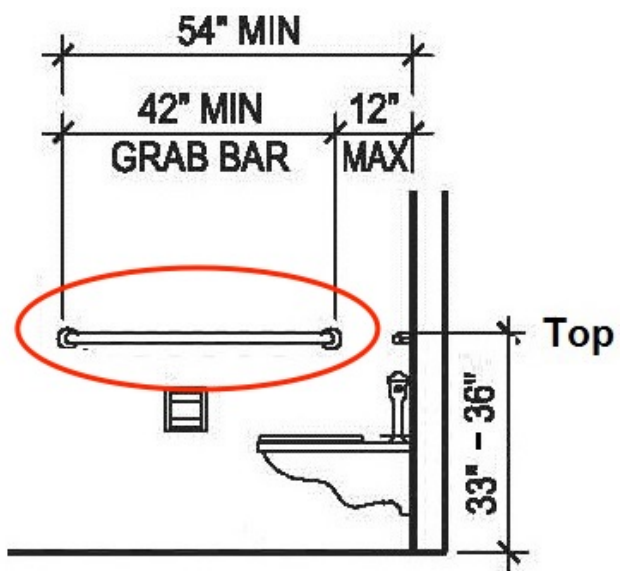
Estimated Remediation Date:

N/A

Notes:

N/A

Finding #9 Continued



Finding 297276 Main Photo

Women's Restroom

Lat: 38.8928908000, Long: -104.7158129000

Finding: 10

The rear grab bar is too high.

Grab bars shall be installed in a horizontal position, 33 inches minimum and 36 inches maximum above the finish floor measured to the top of the gripping surface and the space between the grab bar and the top of the tank shall be 1-1/2 inches minimum.

2010 ADAS Section 609.4

Grab bars shall be installed in a horizontal position, 33 inches (840 mm) minimum and 36 inches (915 mm) maximum above the finish floor measured to the top of the gripping surface, except that at water closets for children's use complying with 604.9, grab bars shall be installed in a horizontal position 18 inches (455 mm) minimum and 27 inches (685 mm) maximum above the finish floor measured to the top of the gripping surface. The height of the lower grab bar on the back wall of a bathtub shall comply with 607.4.1.1 or 607.4.2.1.

Citation:

2010 ADAS Section: 609.4

As Built:

36.5 inches above
finished floor

Budgeting Range:

\$0 - \$0.00

Recommendation:

Lower rear grab bar by 1 inch to meet compliance. Top of gripping surface should not extend beyond 36 inches above finished floor.

Barrier Priority:

3 (Moderate): Should be completed as soon as possible, but there may be other items that will provide greater access to persons with disabilities. (Includes; Findings that have a high financial impact on the entity in relationship to the degree of access provided)

Department:

N/A

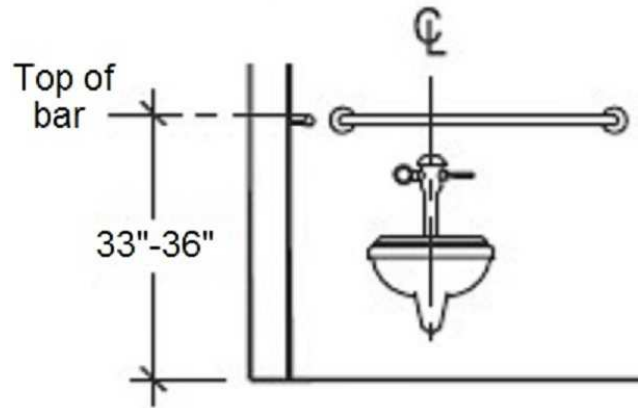
Estimated Remediation Date:

N/A

Notes:

N/A

Finding #10 Continued



Finding 297277 Main Photo

Women's Restroom

Lat: 38.8928908000, Long: -104.7158129000

Finding: 11

The paper towel dispenser's operation mechanism is too high off the floor.

Dispensers must have all operable parts a maximum of 48 inches above the floor.

2010 ADAS Section 308.2.1

Where a forward reach is unobstructed, the high forward reach shall be 48 inches (1220 mm) maximum and the low forward reach shall be 15 inches (380 mm) minimum above the finish floor or ground.

Citation:

2010 ADAS Section: 308.2.1

As Built:

49.5 inches above
finished floor

Budgeting Range:

\$0 - \$0.00

Recommendation:

Lower paper towel dispenser a minimum of 2 inches. Operable parts should be at 48 inches maximum above finished floor.

Barrier Priority:

3 (Moderate): Should be completed as soon as possible, but there may be other items that will provide greater access to persons with disabilities. (Includes; Findings that have a high financial impact on the entity in relationship to the degree of access provided)

Department:

N/A

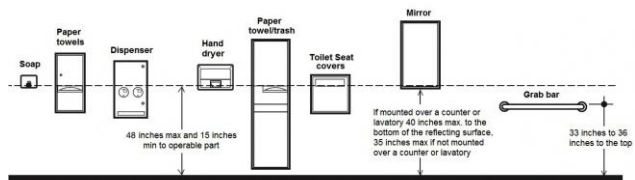
Estimated Remediation Date:

N/A

Notes:

N/A

Finding #11 Continued



Finding 297278 Main Photo