

Site Accessibility Evaluation

Americans with Disabilities Act Title II (Public Services: State and Local Government)



Fountain Creek Nature Center

**320 Peppergrass Ln
Fountain, CO 80817**

Accessibility Evaluation

Inspection Date: 12/21/2018

Inspector: David Mejia

Prepared By



(719) 520 - 6866

www.elpasoco.com

South Trailhead

Lat: 38.7137439000, Long: -104.7158104000

Finding: 1

The running slope of the surface of the trail is too steep and no resting intervals exist of at least 5ft x 5ft.

2015 ABAAS Section 1017.7.1

Not more than 30 percent of the total length of a trail shall have a running slope steeper than 1:12 (8.33%). The running slope of any segment of a trail shall not be steeper than 1:8 (12%). Where the running slope of a segment of a trail is steeper than 1:20 (5%), the maximum length of the segment shall be in accordance with Table 1017.7.1, and a resting interval complying with 1017.8 shall be provided at the top and bottom of each segment.

Citation:

2015 ABAAS Section: 1017.7.1

As Built:

Trail running slope varies from 6.29% to 16.02%

Budgeting Range:

\$0 - \$5,000.00

Recommendation:

Re-engineer southern trailhead to try and meet ABA standards to the extent feasible. Grading will be required but some portions of the southern trail will probably not be at 100% compliance.

If running slope is at 5% maximum, no 5ft x 5ft level landing is required and can travel any length. If running slope is at 8.33% maximum, a 5ft x 5ft level landing is required for every 50ft section of trail. If running slope is at 10% maximum, a 5ft x 5ft level landing is required for every 30ft section of trail. If running slope is at 14% maximum, a 5ft x 5ft level landing is required for every 5ft section of trail.

Running slope greater than 5% is not permitted when cross slope exceeds 5%.

Cross slope 0-5% can travel any distance.

Cross slope above 5% up to 9% can travel up to 10ft of trail

Cross slope above 9% up to 12% can travel up to 5ft of trail

Cross slope greater than 5% is not permitted when running slope exceeds 5%.

Barrier Priority:

1 (High): Should be completed immediately. (Includes; Findings that have little or no cost, were in violation of the codes at the time of construction, or pose an imminent safety threat)

Department:

N/A

Estimated Remediation Date:

N/A

Notes:

Corrective Action: Trail to be maintained by Community Services Parks Dept.



Finding #1 Additional Finding Photos



Finding 239002 Additional Photo



Finding 239002 Additional Photo

Northern Trailhead

Lat: 38.7137439000, Long: -104.7158104000

Finding: 2

The running slope of the surface of the trail is too steep and no resting intervals exist of at least 5ft x 5ft.

2015 ABAAS Section 1017.7.1

Not more than 30 percent of the total length of a trail shall have a running slope steeper than 1:12 (8.33%). The running slope of any segment of a trail shall not be steeper than 1:8 (12%). Where the running slope of a segment of a trail is steeper than 1:20 (5%), the maximum length of the segment shall be in accordance with Table 1017.7.1, and a resting interval complying with 1017.8 shall be provided at the top and bottom of each segment.

Citation:

2015 ABAAS Section: 1017.7.1

As Built:

No level landings 5ft x 5ft for every 50ft of trail section

Budgeting Range:

\$0 - \$5,000.00

Recommendation:

Re-engineer northern trailhead to try and meet ABA standards to the extent feasible. Grading will be required but some portions of the southern trail will probably not be at 100% compliance.

If running slope is at 5% maximum, no 5ft x 5ft level landing is required and can travel any length. If running slope is at 8.33% maximum, a 5ft x 5ft level landing is required for every 50ft section of trail. If running slope is at 10% maximum, a 5ft x 5ft level landing is required for every 30ft section of trail. If running slope is at 14% maximum, a 5ft x 5ft level landing is required for every 5ft section of trail.

Running slope greater than 5% is not permitted when cross slope exceeds 5%.

Cross slope 0-5% can travel any distance.

Cross slope above 5% up to 9% can travel up to 10ft of trail

Cross slope above 9% up to 12% can travel up to 5ft of trail

Cross slope greater than 5% is not permitted when running slope exceeds 5%.

Barrier Priority:

1 (High): Should be completed immediately. (Includes; Findings that have little or no cost, were in violation of the codes at the time of construction, or pose an imminent safety threat)

Department:

N/A

Estimated Remediation Date:

N/A

Notes:

Corrective Action: Trail to be maintain by Community Services Parks Dept.

Mens Restroom

Lat: 38.7137439000, Long: -104.7158104000

Finding: 3

The urinal is confined on three sides (alcove).

Urinals installed in alcoves or with wing walls or partitions that extend greater than 24 inches must provide a clear space in front of the urinal that is a minimum of 36 inches wide.

2015 ABAAS Section 305.7.1

Alcoves shall be 36 inches (915 mm) wide minimum where the depth exceeds 24 inches (610 mm).

2010 ADAS Section 305.7.1

Alcoves shall be 36 inches (915 mm) wide minimum where the depth exceeds 24 inches (610 mm).

Citation:

2015 ABAAS Section: 305.7.1

2010 ADAS Section: 305.7.1

As Built:

Forward approach
measures 31 inches

Budgeting Range:

\$1,500 - \$4,500.00

Recommendation:

Due to limited space and placement/protrusion of the changing table into the minimum required cleared floor space for a forward approach, the required 36 inches may not be met. Recommend reconfiguration if and when renovation/remodel is performed to meet compliance.

Barrier Priority:

3 (Moderate): Should be completed as soon as possible, but there may be other items that will provide greater access to persons with disabilities. (Includes; Findings that have a high financial impact on the entity in relationship to the degree of access provided)

Department:

N/A

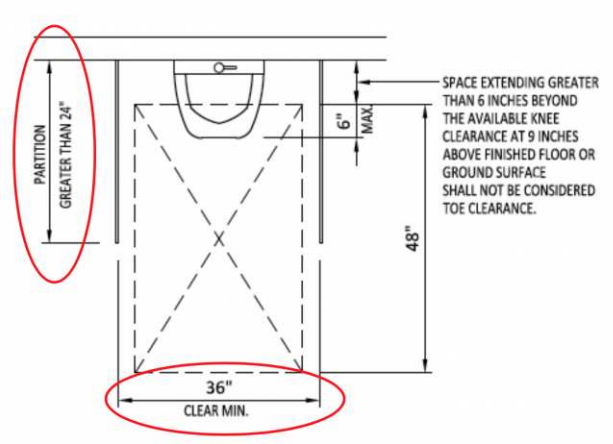
Estimated Remediation Date:

N/A

Notes:

Corrective Action:

Finding #3 Continued



Mens Restroom

Lat: 38.7137439000, Long: -104.7158104000

Finding: 4

The rear grab bar does not extend adequately past the centerline of the toilet on the wall side.

The rear grab bar must be a minimum of 36 inches long and extend from the centerline of the toilet 12 inches minimum on one side and 24 inches minimum on the other side.

Grab bars shall be installed in a horizontal position, 33 inches minimum and 36 inches maximum above the finish floor measured to the top of the gripping surface and the space between the grab bar and the top of the tank shall be 1-1/2 inches minimum.

2015 ABAAS Section 604.5.2

The rear wall grab bar shall be 36 inches (915 mm) long minimum and extend from the centerline of the water closet 12 inches (305 mm) minimum on one side and 24 inches (610 mm) minimum on the other side

2010 ADAS Section 604.5.2

The rear wall grab bar shall be 36 inches (915 mm) long minimum and extend from the centerline of the water closet 12 inches (305 mm) minimum on one side and 24 inches (610 mm) minimum on the other side.

Citation:

2015 ABAAS Section: 604.5.2

2010 ADAS Section: 604.5.2

As Built:

10.5 inches from
centerline of toilet

Budgeting Range:

\$150 - \$1,500.00

Recommendation:

Re-position rear grab bar to extend 12 inches minimum on wall side and 24 inches minimum on the transfer side measured from the centerline of the toilet.

Barrier Priority:

2 (Important): Should be completed as soon as possible. (Includes; Findings that would remove barriers to the greatest number of people to your goods and services)

Department:

N/A

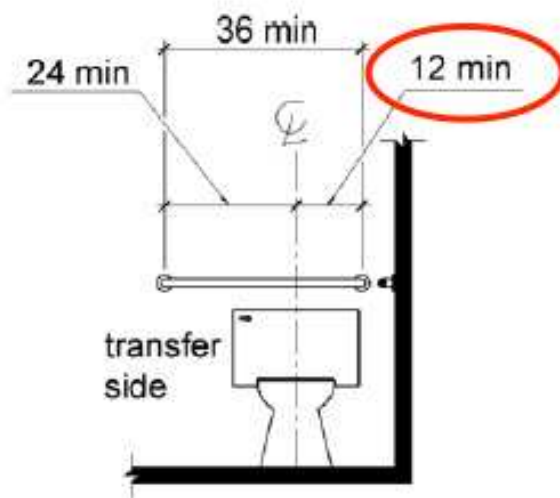
Estimated Remediation Date:

N/A

Notes:

N/A

Finding #4 Continued



Finding 297132 Main Photo

Mens Restroom

Lat: 38.7137439000, Long: -104.7158104000

Finding: 5

The knee clearance not compliant.

The knee clearance under an element shall be a minimum of 27 inches above the finish floor or ground and 30 inches wide minimum.

2015 ABAAS Section 306.3.3

Where knee clearance is required under an element as part of a clear floor space, the knee clearance shall be 11 inches (280 mm) deep minimum at 9 inches (230 mm) above the finish floor or ground, and 8 inches (205 mm) deep minimum at 27 inches (685 mm) above the finish floor or ground.

2010 ADAS Section 306.3.3

Where knee clearance is required under an element as part of a clear floor space, the knee clearance shall be 11 inches (280 mm) deep minimum at 9 inches (230 mm) above the finish floor or ground, and 8 inches (205 mm) deep minimum at 27 inches (685 mm) above the finish floor or ground.

Citation:

2015 ABAAS Section: 306.3.3

2010 ADAS Section: 306.3.3

As Built:

26.5 inches above
finished floor

Budgeting Range:

\$150 - \$1,500.00

Recommendation:

Lower baby changing station to meet the 27 inches minimum required under an element for knee clearance, 28 inches minimum to 34 inches maximum to the top of the table surface and 48 inches maximum height to operable part measured from the finished floor.

Barrier Priority:

2 (Important): Should be completed as soon as possible. (Includes; Findings that would remove barriers to the greatest number of people to your goods and services)

Department:

N/A

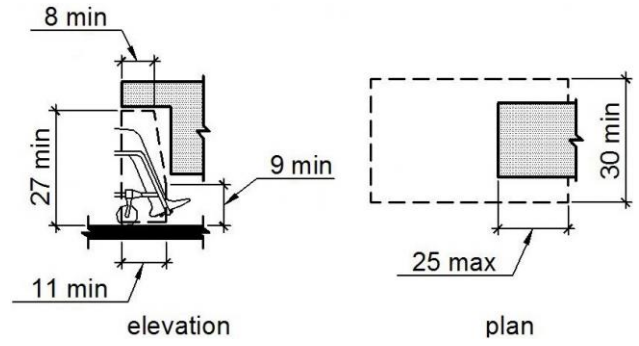
Estimated Remediation Date:

N/A

Notes:

N/A

Finding #5 Continued



Finding 297133 Main Photo

Women's Restroom

Lat: 38.7137439000, Long: -104.7158104000

Finding: 6

The rear grab bar does not extend adequately past the centerline of the toilet on the wall side.

The rear grab bar must be a minimum of 36 inches long and extend from the centerline of the toilet 12 inches minimum on one side and 24 inches minimum on the other side.

Grab bars shall be installed in a horizontal position, 33 inches minimum and 36 inches maximum above the finish floor measured to the top of the gripping surface and the space between the grab bar and the top of the tank shall be 1-1/2 inches minimum.

2015 ABAAS Section 604.5.2

The rear wall grab bar shall be 36 inches (915 mm) long minimum and extend from the centerline of the water closet 12 inches (305 mm) minimum on one side and 24 inches (610 mm) minimum on the other side

2010 ADAS Section 604.5.2

The rear wall grab bar shall be 36 inches (915 mm) long minimum and extend from the centerline of the water closet 12 inches (305 mm) minimum on one side and 24 inches (610 mm) minimum on the other side.

Citation:

2015 ABAAS Section: 604.5.2

2010 ADAS Section: 604.5.2

As Built:

10.5 inches from
centerline of toilet

Budgeting Range:

\$0 - \$0.00

Recommendation:

Re-position rear grab bar to extend from the centerline of the toilet 12 inches minimum to the wall side and 24 inches minimum to the transfer/open side.

Barrier Priority:

2 (Important): Should be completed as soon as possible. (Includes; Findings that would remove barriers to the greatest number of people to your goods and services)

Department:

N/A

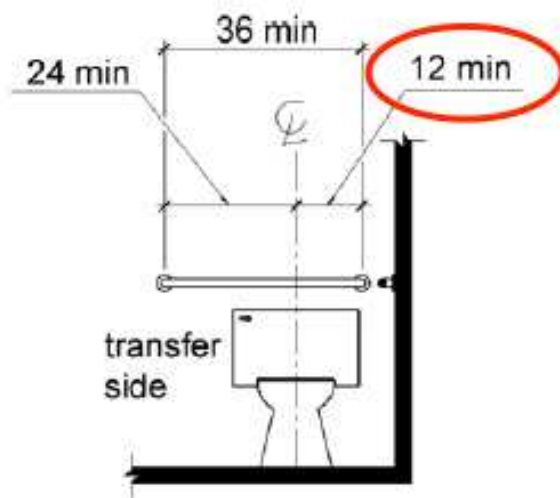
Estimated Remediation Date:

N/A

Notes:

N/A

Finding #6 Continued



Finding 297134 Main Photo

Women's Restroom

Lat: 38.7137500000, Long: -104.7158000000

Finding: 7

The flush handle is located on the wrong side of the toilet.

Controls shall be operable with one hand and shall not require tight grasping, pinching or twisting. Controls for the flush valves shall be mounted on the wide side of toilet areas, no more than 48 inches above the floor.

2015 ABAAS Section 604.6

Flush controls shall be hand operated or automatic. Hand operated flush controls shall comply with 309. Flush controls shall be located on the open side of the water closet except in ambulatory accessible compartments complying with 604.8.2

2010 ADAS Section 604.6

Flush controls shall be hand operated or automatic. Hand operated flush controls shall comply with 309. Flush controls shall be located on the open side of the water closet except in ambulatory accessible compartments complying with 604.8.2.

Citation:

2015 ABAAS Section: 604.6

2010 ADAS Section: 604.6

As Built:

Flush handle located
on the closed side

Budgeting Range:

\$150 - \$200.00

Recommendation:

Replace toilet water tank with one that has flush handle on the opposite side (open side of toilet area).

Barrier Priority:

2 (Important): Should be completed as soon as possible. (Includes; Findings that would remove barriers to the greatest number of people to your goods and services)

Department:

N/A

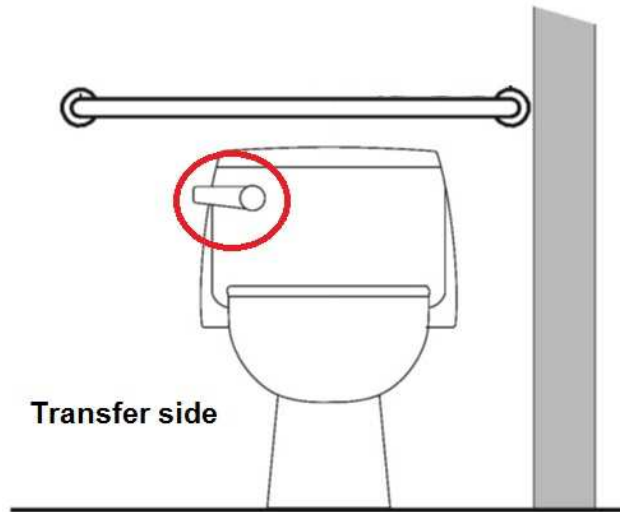
Estimated Remediation Date:

N/A

Notes:

Corrective Action:

Finding #7 Continued



Finding #7 Additional Finding Photos



Finding 241322 Additional Photo