

Site Accessibility Evaluation

Americans with Disabilities Act Title II (Public Services: State and Local Government)



Motor Vehicle Union

8830 N Union Blvd
Briargate, CO 80920

ADA Only

Inspection Date: 07/01/2019

Inspector: David Mejia

Prepared By



(719) 520 - 6866

www.elpasoco.com

Parking Lot

Lat: 38.9596171000, Long: -104.7662357000

Finding: 1

The striping and markings for the accessible parking stalls, loading/unloading access aisles are dilapidated and in need of repair and/or maintenance.

2010 ADAS Section 502.3.3

Access aisles shall be marked so as to discourage parking in them.

Citation:

2010 ADAS Section: 502.3.3

As Built:

Existing striping
dilapidated

Budgeting Range:

\$1,000 - \$1,500.00

Recommendation:

Reconfigure and re-stripe accessible parking stalls with international symbol of accessibility and access aisles.

Barrier Priority:

1 (High): Should be completed immediately. (Includes; Findings that have little or no cost, were in violation of the codes at the time of construction, or pose an imminent safety threat)

Department:

N/A

Estimated Remediation Date:

N/A

Notes:

Corrective Action: Coordinate with landlord and review lease contract agreement.

Finding #1 Continued



Finding 297089 Main Photo

Finding #1 Additional Finding Photos



Finding 297089 Additional Photo

Parking Lot

Lat: 38.9596171000, Long: -104.7662357000

Finding: 2

Curb ramp leading to path of travel next to accessible parking stall not compliant due to side approach entrance and adjacent to accessible parking stall.

2010 ADAS Section Recommended
None

Citation:	As Built:	Budgeting Range:
2010 ADAS Section: Recommended	Existing curb ramp non-compliant	\$300 - \$2,000.00

Recommendation:

Recommend re-striping adjacent parking stall to a no parking stall or reconfigure curb ramp with a forward approach entrance.

Barrier Priority:

1 (High): Should be completed immediately. (Includes; Findings that have little or no cost, were in violation of the codes at the time of construction, or pose an imminent safety threat)

Department:

N/A

Estimated Remediation Date:

N/A

Notes:

Corrective Action: Coordinate with landlord and review lease contract agreement.

Finding #2 Continued



Finding 297099 Main Photo

Men's Restroom

Lat: 38.9596200000, Long: -104.7662000000

Finding: 3

The side grab bar is located greater than 12 inches from the rear wall.

The side grab bar must extend at least 54 inches minimum beyond the rear wall and start a maximum of 12 inches from the rear wall. A 42 inch grab bar installed the maximum distance from the rear wall (12 inches) will leave the leading end 54 inches from the rear wall. Grab bars shall be installed in a horizontal position, 33 inches minimum and 36 inches maximum above the finish floor measured to the top of the gripping surface.

2010 ADAS Section 604.5.1

The side wall grab bar shall be 42 inches (1065 mm) long minimum, located 12 inches (305 mm) maximum from the rear wall and extending 54 inches (1370 mm) minimum from the rear wall.

Citation:

2010 ADAS Section: 604.5.1

As Built:

13 inches from rear wall

Budgeting Range:

\$0 - \$0.00

Recommendation:

Adjust side grab bar not to exceed 12 inches from rear wall. The side grab bar must be 42 inches minimum in length and extend at least 54 inches minimum beyond the rear wall.

Barrier Priority:

2 (Important): Should be completed as soon as possible. (Includes; Findings that would remove barriers to the greatest number of people to your goods and services)

Department:

N/A

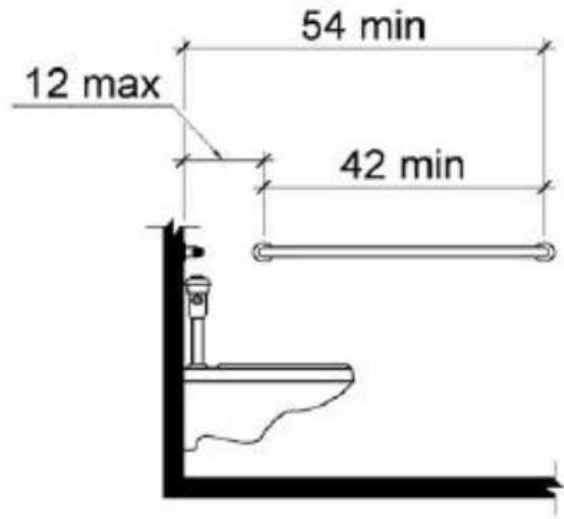
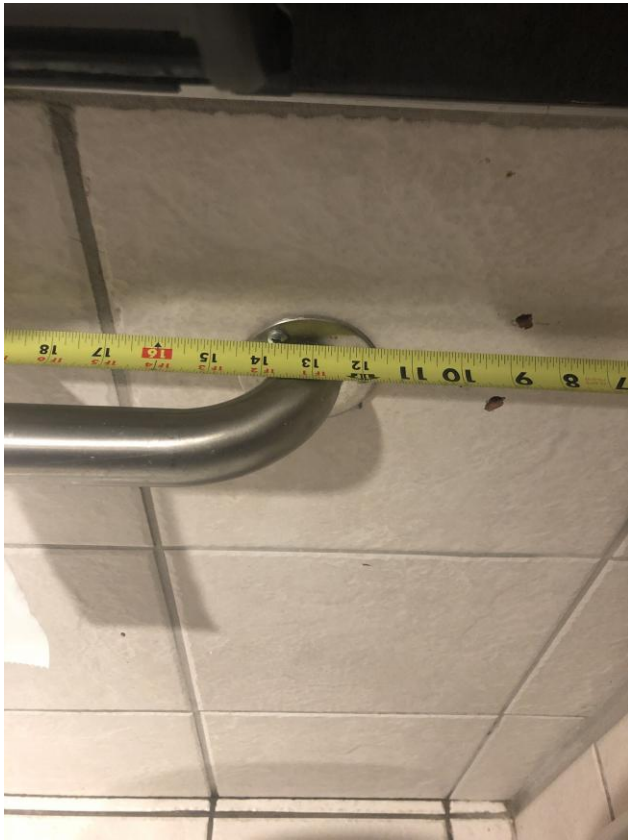
Estimated Remediation Date:

N/A

Notes:

Work order #466606 submitted on 6/28/19

Finding #3 Continued



Finding 297078 Main Photo

Finding #3 Additional Finding Photos



Finding 297078 Additional Photo

Women's Restroom

Lat: 38.9596200000, Long: -104.7662000000

Finding: 4

The toilet paper is not installed within the compliant height range.

Toilet paper dispensers shall be 7 inches minimum and 9 inches maximum in front of the water closet measured to the centerline of the dispenser. The outlet of the dispenser shall be 15 inches minimum and 48 inches maximum above the finish floor and shall not be located behind grab bars. Dispensers shall not be of a type that controls delivery or that does not allow continuous paper flow. There shall be a clearance of 1 1/2 inches minimum below the grab bar.

2010 ADAS Section 604.7

Toilet paper dispensers shall comply with 309.4 and shall be 7 inches (180 mm) minimum and 9 inches (230 mm) maximum in front of the water closet measured to the centerline of the dispenser. The outlet of the dispenser shall be 15 inches (380 mm) minimum and 48 inches (1220 mm) maximum above the finish floor and shall not be located behind grab bars. Dispensers shall not be of a type that controls delivery or that does not allow continuous paper flow.

Citation:

2010 ADAS Section: 604.7

As Built:

1 inch in front of toilet

Budgeting Range:

\$0 - \$0.00

Recommendation:

Relocate sanitary paper dispenser or interchange sanitary paper dispenser with toilet paper dispenser and ensure toilet paper dispenser is between 7 inches minimum to 9 inches maximum in front of water closet measured to centerline of the dispenser.

Barrier Priority:

2 (Important): Should be completed as soon as possible. (Includes; Findings that would remove barriers to the greatest number of people to your goods and services)

Department:

N/A

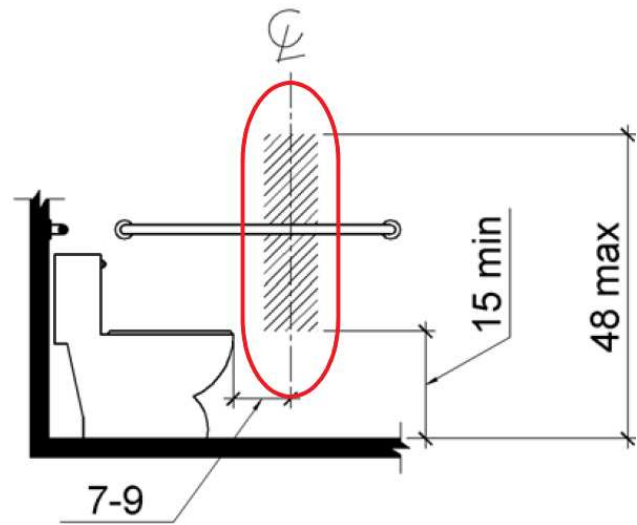
Estimated Remediation Date:

N/A

Notes:

Work order #466613 submitted on 6/28/19

Finding #4 Continued



Finding 297085 Main Photo

Finding #4 Additional Finding Photos



Finding 297085 Additional Photo

Women's Restroom

Lat: 38.9596200000, Long: -104.7662000000

Finding: 5

The door is equipped with a door closer and returns to a closed position too quickly.

Door closers and gate closers shall be adjusted so that from an open position of 90 degrees, the time required to move the door to a position of 12 degrees from the latch is 5 seconds minimum.

2010 ADAS Section 404.2.8.1

Door closers and gate closers shall be adjusted so that from an open position of 90 degrees, the time required to move the door to a position of 12 degrees from the latch is 5 seconds minimum.

Citation:

2010 ADAS Section: 404.2.8.1

As Built:

2 seconds to closed position

Budgeting Range:

\$0 - \$0.00

Recommendation:

Adjust door closer to allow a minimum of 5 seconds to move from the open position at 90 degrees to 12 degrees from the latch/locking mechanism.

Barrier Priority:

2 (Important): Should be completed as soon as possible. (Includes; Findings that would remove barriers to the greatest number of people to your goods and services)

Department:

N/A

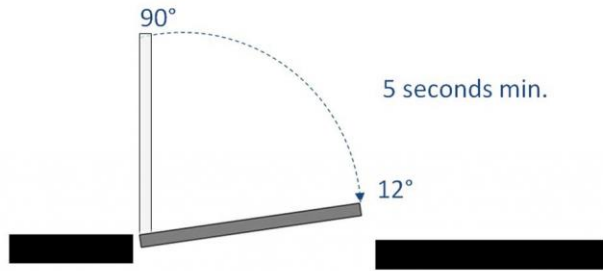
Estimated Remediation Date:

N/A

Notes:

Work order #466615 submitted on 6/28/19

Finding #5 Continued



Finding 297088 Main Photo